

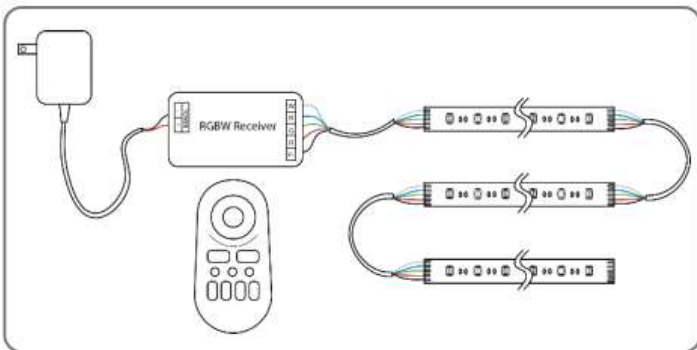
### Product Information

**SKU:** Sold Separately      3846 (RF 4 Zone Remote)  
 3845 (RF 4 Zone Receiver)

### Features

**RF Range**                      30 Meters (~100')  
**Voltage Input**                12-24V DC  
**Remote Battery Size**        (2) AAA  
**Dimming**                        0-100%  
**Screw Terminal Output**      16/5 – 22/5 AWG  
**Zone Receiver Maximum**    4 Receivers per Zone

### Wiring Diagram



### Qualifications

**Certification**                      CE Certified  
**Compliance**                    Class 2, RoHs Compliant  
**Warranty**                            2 Year

### Specifications

	Receiver	Remote
<b>Working Voltage</b>	12/24VDC	3V
<b>Max Load Current</b>	6A / Channel	N/A
<b>Max Standby</b>	0.5W	<20uA
<b>Transmitting Power</b>	N/A	6dBm
<b>Frequency</b>	2.4GHZ	2.4GHZ

### Mechanical

Battery indicator

Color Ring

Dimmer Slide

Master ON/OFF

Mode

Speed +/-

Zone ON/OFF

