



40W E-Series Driver

Voltage Dimmable Class 2 24V LED Driver

Product Code: E40L24DC-KO

iLED SKU#: 3936

Magnitude's E40L24DC-KO dimmable voltage LED driver is class 2 rated, and designed to work with ANY standard MLV/Incandescent TRIAC (leading edge) dimmer switch. Encased in a low profile aluminum enclosure that includes two knock-outs for easy installation, it's the perfect choice for under cabinet lights, tape lights and various LED fixture installations. Driver features auto reset, over current and short circuit protection, and an efficiency of 90% or higher for operation at low temperatures.

Features

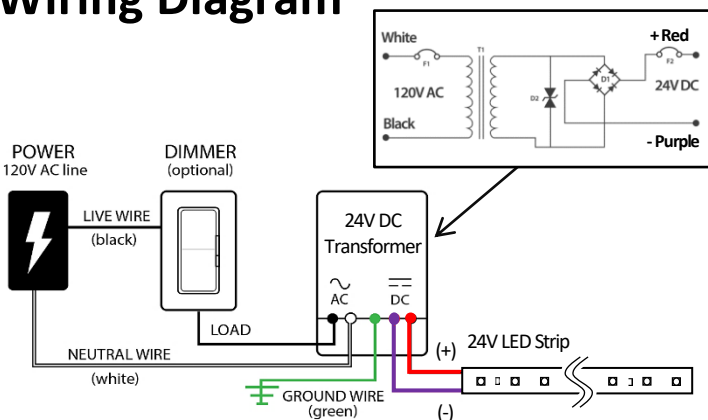
- Dimmable with MLV/Incandescent TRIAC (leading edge) dimmer switch
- Super compact aluminum case
- Nema 3R Enclosure- Outdoor Use
- Auto-reset protection for short circuits, over-voltage, over temp
- Class 2, UL 8750, FFC 15 part 2

Specifications

Note: For smooth dimming an 8W minimum load is required.

Max Load	40W
Input Voltage	120V AC
Input Current at Max Load	0.41 A
Output Voltage	24V DC
Output Current at Max Load	1.75 A
Efficiency at Max Load	>90%
THD at Max Load	<20%
Power Factor at Max Load	>0.95
Ambient Operating Temperature	-30°C to 50°C
Housing Material	Aluminum
Enclosure	Nema 3R – Outdoor use
Input Wires (white/black)	18 AWG
Output Wires (red/black)	14 AWG
Dimensions (inches)	6.77" x 2.67" x 1.26"
Weight	9 oz.

Wiring Diagram



BEFORE YOU BEGIN

Note: This dimmable transformer requires a **compatible MLV/Incandescent TRIAC (leading edge) dimmer switch** for proper operation. See the list of approved dimmers recommended by Magnitude Inc. and Inspired LED for more details. Driver must be installed in a well-ventilated area free from explosive gasses and vapors. Proper operation requires a free flow of air. Driver should be installed by a qualified electrician in accordance with article 450 of the National Electrical Code.

Precautions Before Installing

Check the label to ensure the driver has the proper input voltage and wattage for the job. Check the wire markings to ensure they match the wiring diagram below.

Input Connections/Grounding

Remove the wiring compartment cover and install the clamp connectors provided with the driver. With power turned off, route the input wires through the clamp connector and connect one wire to black and one wire to white. For all wire connections use only UL listed wire nuts and connectors of suitable size and style. Connect the ground wire to the driver green wire, **the driver case MUST be grounded in accordance with N.E.C.**

Output Connections

Bring the wires of the light fixture through the other clamp connector and connect them to the driver wire: positive to the **red (+)** wire and negative to the **purple (-)** wire.

Mounting

Select a location capable of supporting the weight of the driver. Use the two keyholes in in the driver case to mount using suitable screws. It is recommended that the driver be mounted vertically with the wiring compartment pointing down.

Output Voltage vs. Load

