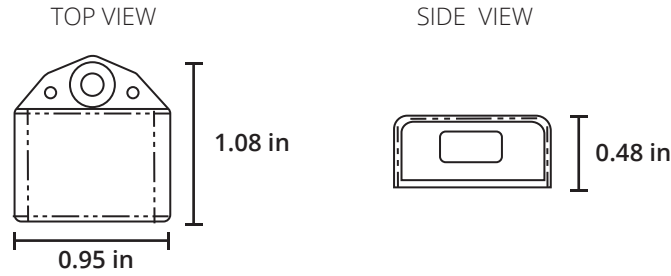


RADIANT EDGE 3/8-INCH END CAPS

for Radiant Edge Series LED Fixture System

Inspired LED

V: 10.08.19



SKU #3772 (WITH HOLE)
#3773 (NO HOLE)

FEATURES

ABS caps complete each end of Radiant Edge Series LED fixture. Available with hole for wiring or closed cap for finished ends. Snap-in installation with compatible 3/8-inch components.

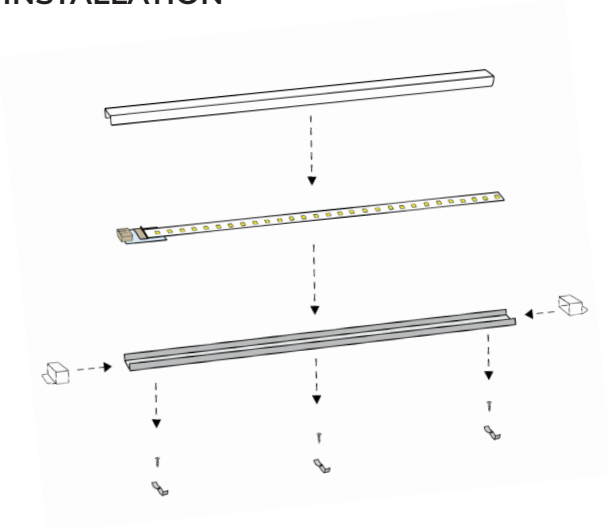
SPECIFICATIONS

WIDTH 1.08 in **DEPTH** 0.48 in
LENGTH 0.95 in

APPLICATION

Indoor/outdoor decorative accent lighting.
See installation guide for more detail.

INSTALLATION



REQUIRED COMPONENTS (Sold separately)

RADIANT EDGE CHANNEL SKU #3662
RADIANT EDGE 3/8-INCH LENS SKU #3771
RADIANT EDGE MOUNTING CLIPS SKU #3739

COMPATIBLE ACCESSORIES (Sold separately)

CONNECTORS Micro Lock Tiger Paw (#3613)
CABLE 22 AWG Class 2 in-wall rated

FIXTURE



PROJECT:

FIXTURE TYPE:

DATE:

1702 West 10th Pl. Tempe, AZ 85281

480-941-4286

orders@inspiredled.com