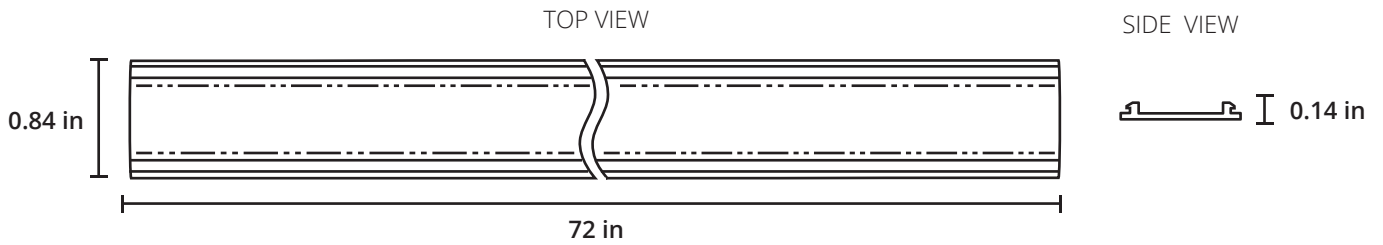


RADIANT EDGE CHANNEL

for Radiant Edge Series LED Fixture System

Inspired LED

V: 10.01.19



SKU #3662

FEATURES

Lightweight aluminum channel for mounting LED flex strips. Cut to size in field. Simple snap-in installation with compatible Radiant Edge Series components.

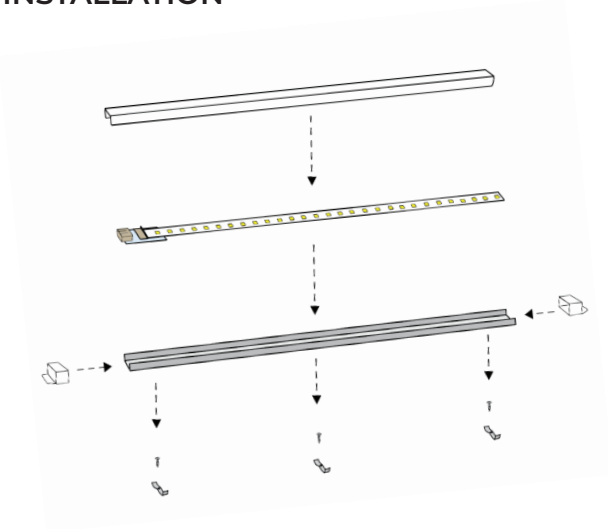
SPECIFICATIONS

WIDTH 0.84 in **DEPTH** 0.14 in
LENGTH 72 in

APPLICATION

Indoor/outdoor decorative accent lighting. See installation guide for more detail.

INSTALLATION



REQUIRED COMPONENTS (Sold separately)

RADIANT EDGE 1-INCH LENS SKU #3725
RADIANT EDGE 1-INCH END CAPS SKU #3750, #3770
OR
RADIANT EDGE 3/8-INCH LENS SKU #3771
RADIANT EDGE 3/8-INCH END CAPS SKU #3772, #3773
RADIANT EDGE MOUNTING CLIPS SKU #3739

COMPATIBLE ACCESSORIES (Sold separately)

CONNECTORS Micro Lock Tiger Paw (#3613)
CABLE 22 AWG Class 2 in-wall rated

FIXTURE



PROJECT:

FIXTURE TYPE:

DATE:

1702 West 10th Pl. Tempe, AZ 85281

480-941-4286

orders@inspiredled.com