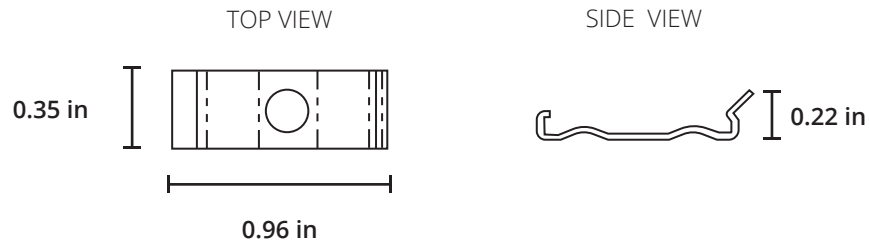


# RADIANT EDGE MOUNTING CLIPS

for Radiant Edge Series LED Fixture System

Inspired LED

V: 10.01.19



**SKU #3739 (10 PACK)**

## FEATURES

Aluminum clips allow compatible Radiant Edge Series LED fixture to be mounted on flat surface. Place one clip every 12 inches and snap fixture into place.

## SPECIFICATIONS

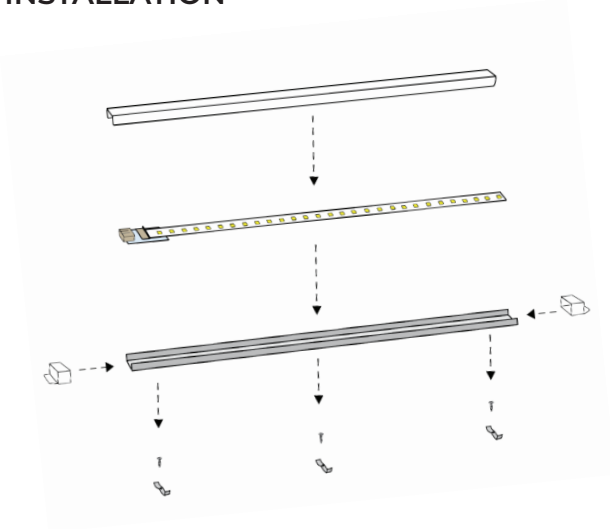
**WIDTH** 0.84 in      **DEPTH** 0.14 in

**LENGTH** 72 in

## APPLICATION

Indoor/outdoor decorative accent lighting.  
See installation guide for more detail.

## INSTALLATION



## REQUIRED COMPONENTS (Sold separately)

<b>RADIANT EDGE CHANNEL</b>	SKU #3739
<b>RADIANT EDGE 1-INCH LENS</b>	SKU #3725
<b>RADIANT EDGE 1-INCH END CAPS</b>	SKU #3750, #3770
OR	
<b>RADIANT EDGE 3/8-INCH LENS</b>	SKU #3771
<b>RADIANT EDGE 3/8-INCH END CAPS</b>	SKU #3772, #3773

## COMPATIBLE ACCESSORIES (Sold separately)

**CONNECTORS** Micro Lock Tiger Paw (#3613)  
**CABLE** 22 AWG Class 2 in-wall rated

## FIXTURE



**PROJECT:**

**FIXTURE TYPE:**

**DATE:**

1702 West 10th Pl. Tempe, AZ 85281

480-941-4286

orders@inspiredled.com