



10mm iDea Series Information	
<b>SKU:</b>	See Below (not sold as set)
Specifications: (complete panel)	
<b>Dimensions</b>	72" x 0.6" x 0.25"
<b>Materials</b>	Aluminum, polycarbonate
<b>Applications</b>	Low profile indoor/outdoor
<b>Recommended LEDs</b>	12V or 24V LED Strips
<b>Tiger Paw Connectors</b>	iDea, Tiger Paw, Micro-lock

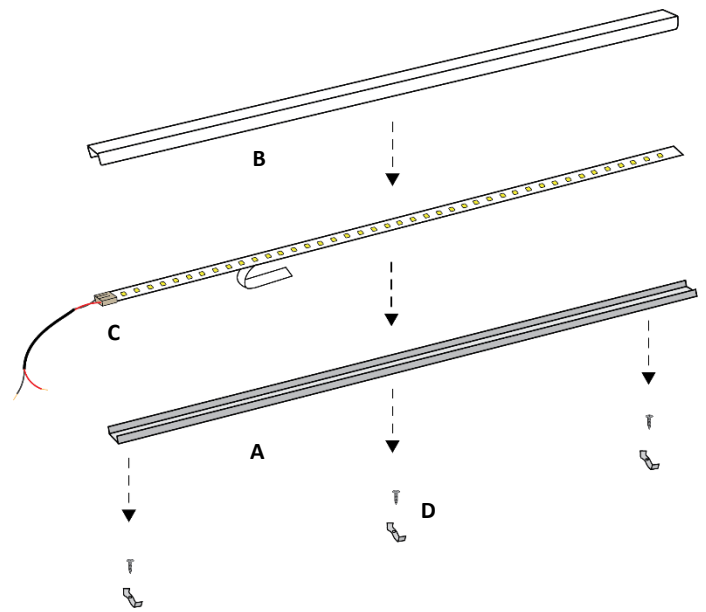
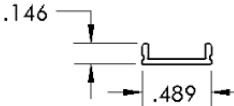
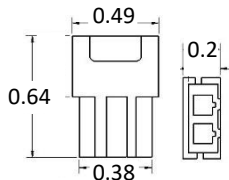


Fig. 1: 10mm iDea Series Diagram

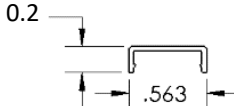
A. 10mm iDea Series Channel	
<b>SKU:</b>	3606
<b>Dimensions:</b>	72" x 0.49" x 0.15"
<b>Nt. Weight:</b>	80g (2.8 oz)
<b>Material:</b>	Aluminum



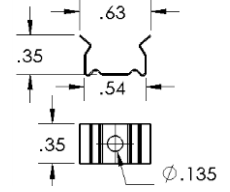
C. 10mm iDea Series Connector	
<b>SKU:</b>	3636 (single) 3683 (bag of 25)
<b>Dimensions:</b>	0.64" x 0.49" x 0.2"
<b>Nt. Weight:</b>	0.5g (0.01 oz)
<b>Material:</b>	Nylon (PA66 101F)



B. 10mm iDea Series White Lens	
<b>SKU:</b>	3633-W (white) 3633-C (clear)
<b>Dimensions:</b>	72" x 0.56" x 0.2"
<b>Nt. Weight:</b>	45g (1.6 oz)
<b>Material:</b>	Polycarbonate



D. iDea Series Mounting Clips	
<b>SKU:</b>	3567 (10 pack, screws included)
<b>Dimensions:</b>	0.6" x 0.75" x 0.39"
<b>Nt. Weight:</b>	0.5g (0.01 oz)
<b>Material:</b>	Spring Steel



Recommended LEDs (sold separately)							
Product Name:	12V Mega Bright			24V Mega Bright 240Ω		24V Mega Bright 100Ω	
Input Voltage:	12VDC			24VDC		24VDC	
Wattage:	~3W/ft			~2.5W/ft		~5.5W/ft	
Voltage Drop:	After ~100"			After ~150"		After ~105"	
Color Temp:	3000K	4200K	6000K	3000K	4000K	3000K	4000K
Temp. w/ Lens:	~2900K	~4100K	~5800	~2700K	~3900K	~2700K	~3900K
Color Rendering	92 CRI	92 CRI	92 CRI	81 CRI	94 CRI	81 CRI	93 CRI
Lumens per foot:	140lm/ft	140lm/ft	145lm/ft	240lm/ft	245lm/ft	490lm/ft	525lm/ft
Lumens w/ Lens:	~80lm/ft	~80lm/ft	~80lm/ft	~180lm/ft	~200lm/ft	~430lm/ft	~465lm/ft

