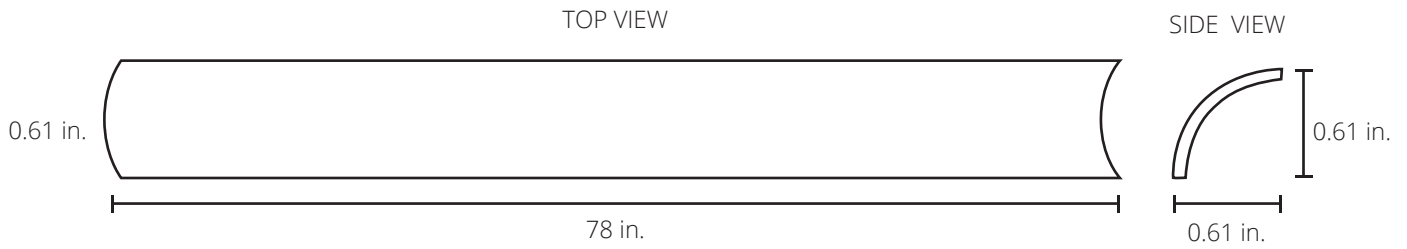


ANGLED LENS
for Corner Mount LED Fixture



V: 07.21.19



SKU #3919 (CLEAR or WHITE)

FEATURES

Polycarbonate, clear or soft white diffuser lens for even light distribution. Cut to size in field. Simple snap-in installation with compatible corner channel components.

SPECIFICATIONS

WIDTH	0.61 in.	HEIGHT	0.61 in.
LENGTH	78 in.		
	CLEAR	WHITE	
COLOR SHIFT	-20K	-50K	
LUMEN TOLERANCE	-20%	-30%	

*Values may vary +/- 10% from sample measurements

APPLICATION

90° corner application. 45° angle of light. General task lighting.

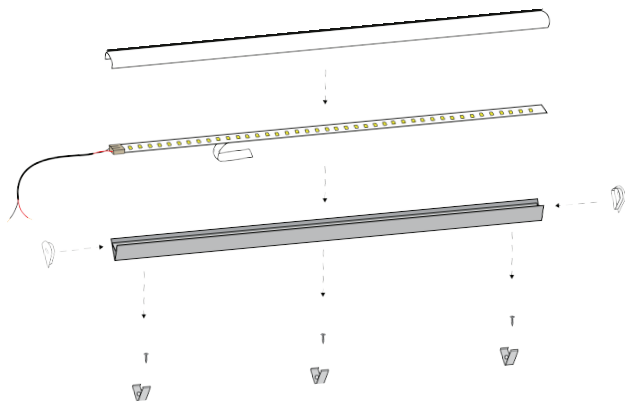
REQUIRED COMPONENTS (Sold separately)

45° CORNER CHANNEL	SKU #3918
CORNER CHANNEL CAPS	SKU #3920 (wiring hole)
	SKU #3921 (closed cap)
CORNER CHANNEL CLIPS	SKU #3922

COMPATIBLE ACCESSORIES (Sold separately)

CONNECTORS	Micro Lock Tiger Paw (3613)
CABLE	22 AWG Class 2 in-wall rated

INSTALLATION



FIXTURE



PROJECT:	FIXTURE TYPE:	DATE:
-----------------	----------------------	--------------