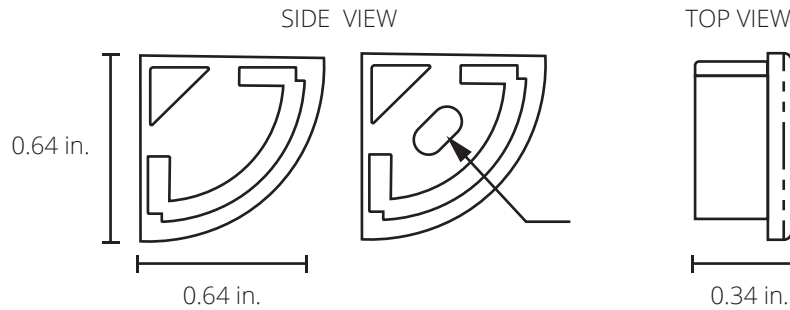


# CORNER CHANNEL END CAPS

for Corner Mount LED Fixture

Inspired LED

V: 08.15.19



**SKU #3920 (CLOSED)**  
**#3921 (WITH HOLE)**

## FEATURES

Polycarbonate caps complete each end of corner-mount LED fixture. Available with hole for wiring or closed cap for finished ends. Snap-in installation with compatible corner channel components.

## SPECIFICATIONS

**WIDTH** 0.34 in.    **HEIGHT** 0.64 in.  
**LENGTH** 0.64 in.  
**HOLE**

## REQUIRED COMPONENTS (Sold separately)

**45 CORNER CHANNEL**    SKU #3918  
**ANGLED LENS**    SKU #3919  
**CORNER CHANNEL CLIPS**    SKU #3922

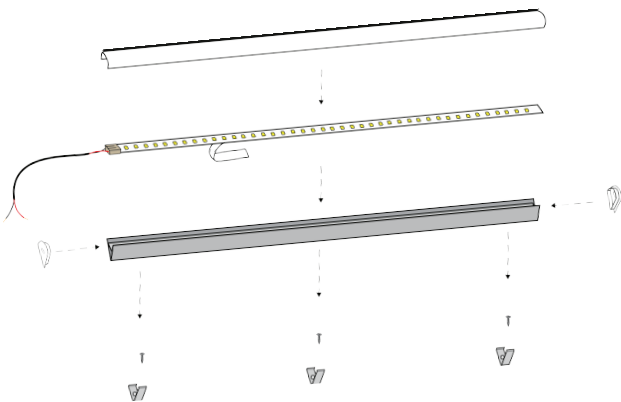
## APPLICATION

Finishing ends of 90° corner fixture.  
General task lighting.

## COMPATIBLE ACCESSORIES (Sold separately)

**CONNECTORS** Micro Lock Tiger Paw (#3613)  
**CABLE** 22 AWG Class 2 in-wall rated

## INSTALLATION



## FIXTURE



**PROJECT:**

**FIXTURE TYPE:**

**DATE:**

1702 West 10th Pl. Tempe, AZ 85281

480-941-4286

orders@inspiredled.com