

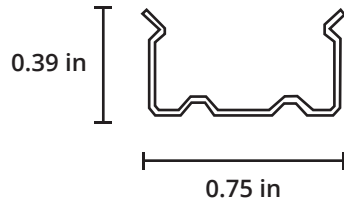
# RETROFIT MOUNTING CLIPS

for Impression Series Retrofit In-Wall LED System

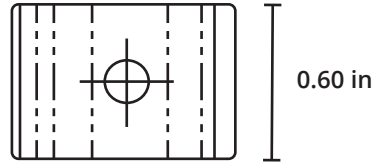
Inspired LED

V: 09.03.19

TOP VIEW



SIDE VIEW



SKU #3905

## FEATURES

Aluminum clips allow compatible Impression Series Retrofit In-Wall LED fixture to be mounted in existing 5/8-inch drywall. Place one clip every 12 inches and snap fixture into place.

## SPECIFICATIONS

WIDTH 0.75 in      HEIGHT 0.39 in  
DEPTH 0.60 in

## REQUIRED COMPONENTS (Sold separately)

RETROFIT WALL REVEAL      SKU #3901  
RETROFIT LENS              SKU #3902  
RETROFIT END CAPS        SKU #3903 (wiring hole)  
   SKU #3904 (closed cap)

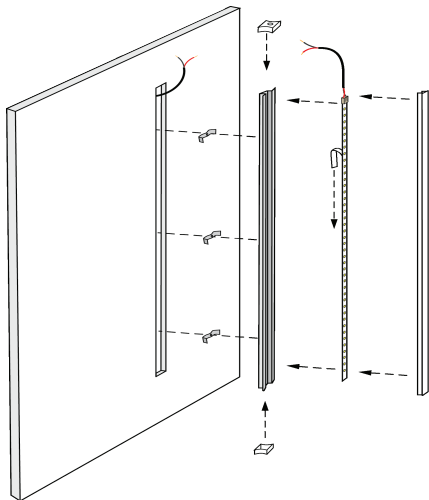
## APPLICATION

In-wall application for decorative accent lighting. See installation guide for more detail.

## COMPATIBLE ACCESSORIES (Sold separately)

CONNECTORS      Micro Lock Tiger Paw (#3613)  
CABLE      22 AWG Class 2 in-wall rated

## INSTALLATION



## FIXTURE



PROJECT:

FIXTURE TYPE:

DATE:

1702 West 10th Pl. Tempe, AZ 85281

480-941-4286

orders@inspiredled.com