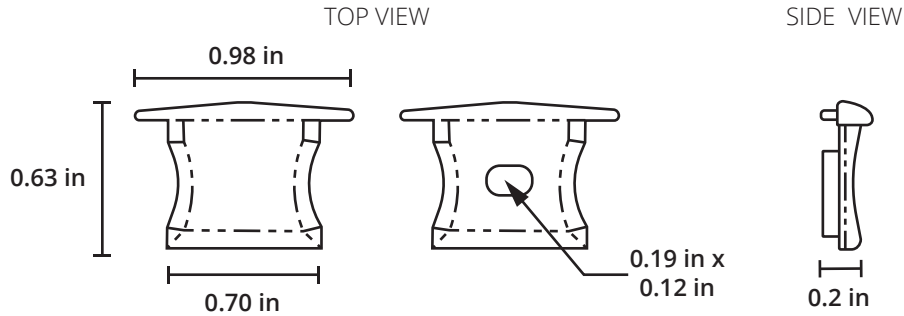


RETROFIT END CAPS

for Impression Series Retrofit In-Wall LED System

Inspired LED

V: 09.03.19



SKU #3903 (WITH HOLE)
#3904 (CLOSED)

FEATURES

Polycarbonate caps complete each end of Impression Series Retrofit In-Wall LED fixture. Available with hole for wiring or closed cap for finished ends. Snap-in installation with compatible retrofit components.

SPECIFICATIONS

WIDTH 0.70 in (at base) **HEIGHT** 0.63 in
0.98 in (at top)

DEPTH 0.70 in

REQUIRED COMPONENTS (Sold separately)

RETROFIT WALL REVEAL SKU #3901
RETROFIT LENS SKU #3902
RETROFIT MOUNTING CLIPS SKU #3905

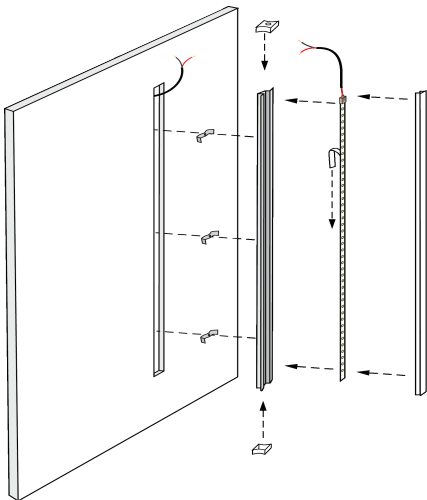
APPLICATION

In-wall application for decorative accent lighting. See installation guide for more detail.

COMPATIBLE ACCESSORIES (Sold separately)

CONNECTORS Micro Lock Tiger Paw (#3613)
CABLE 22 AWG Class 2 in-wall rated

INSTALLATION



FIXTURE



PROJECT:

FIXTURE TYPE:

DATE:

1702 West 10th Pl. Tempe, AZ 85281

480-941-4286

orders@inspiredled.com