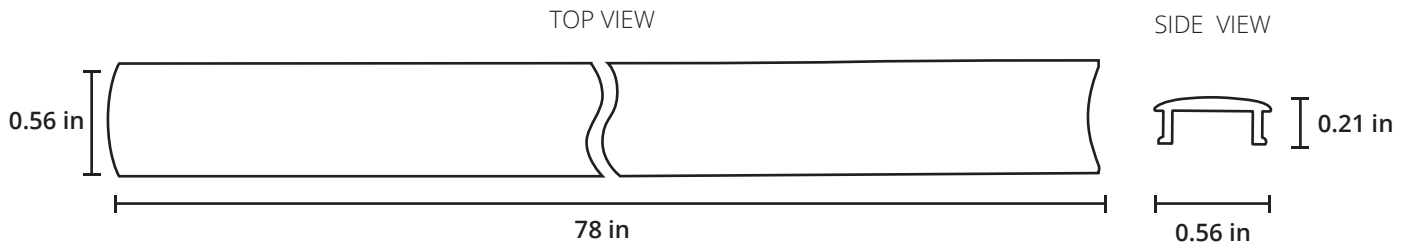


RETROFIT LENS

for Impression Series Retrofit In-Wall LED System

Inspired LED

V: 09.03.19



SKU #3902

FEATURES

Diffused polycarbonate lens for frosted lighting effect.
Cut to size in field. Snaps into place with compatible Impression Series Retrofit Wall Reveal.

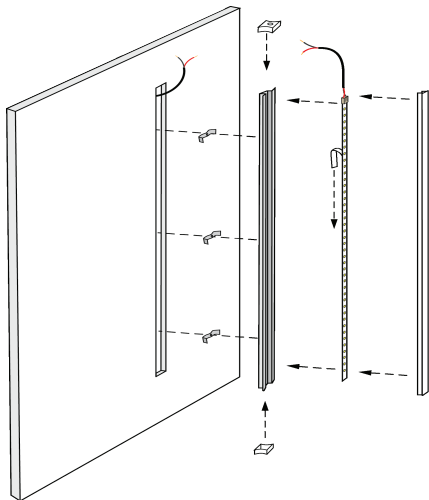
SPECIFICATIONS

WIDTH 0.56 HEIGHT 0.21 in
LENGTH 78 in
AVG. COLOR SHIFT - 200K LUMEN LOSS ?%

APPLICATION

In-wall application for decorative accent lighting.
See installation guide for more detail.

INSTALLATION



REQUIRED COMPONENTS

(Sold separately)

RETROFIT WALL REVEAL SKU #3901
RETROFIT END CAPS SKU #3903 (wiring hole)
SKU #3904 (closed cap)
RETROFIT MOUNTING CLIPS SKU #3905

COMPATIBLE ACCESSORIES

(Sold separately)

CONNECTORS Micro Lock Tiger Paw (#3613)
CABLE 22 AWG Class 2 in-wall rated

FIXTURE



PROJECT:

FIXTURE TYPE:

DATE:

1702 West 10th Pl. Tempe, AZ 85281

480-941-4286

orders@inspiredled.com